

PRODUCT BRIEF

600mA, High Efficiency, Low Input Voltage, Adjustable Synchronous Monolithic Step-Down DC-DC Regulator

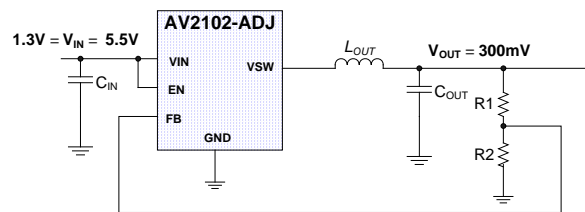
Features:

- Input Voltage: 1.3V to 5.5V
- Output Current: 600mA
- Power Transistors: Built-in
- Output Voltage: $\geq 300\text{mV}$
- High Efficiency: $> 90\%$
- Shutdown Current: $< 1\mu\text{A}$
- Internal Reference Voltage: 300mV
- Soft Start: Built-In

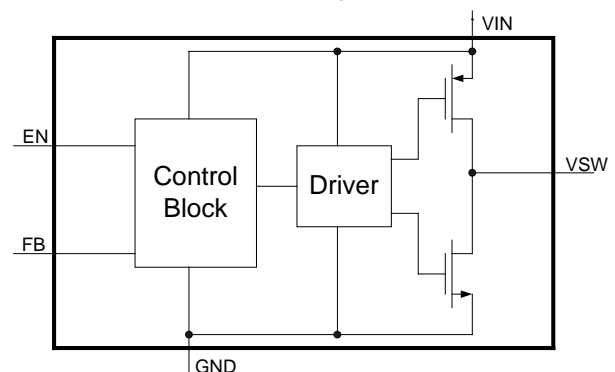
Applications:

- Mobile Phones
- Digital Still Cameras
- MP3 Players
- GPS Devices
- Portable Instruments
- Battery Powered Equipment
- Personal Information Appliances

Typical Setup



Block Diagram



Efficiency vs. Load Current

