

PRODUCT BRIEF

600mA, High Efficiency, Low Input Voltage, Adjustable Synchronous Monolithic Step-Down DC-DC Regulator

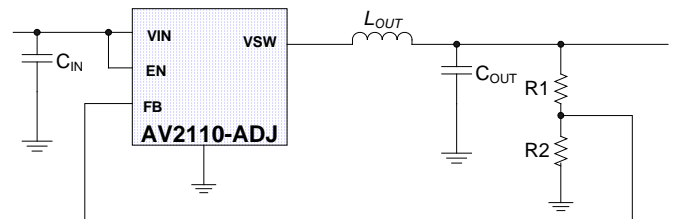
Features:

- Input Voltage: 1.3V - 5.5V
- Output Current: 600mA
- Power Transistors: Built-In
- Output Voltage \geq 300mV
- High Efficiency: $>$ 90%
- Duty Cycle: 0 to 100%
- Shutdown Current: $<$ 1 μ A
- Internal Reference Voltage: 300mV
- Soft Start: Built-In

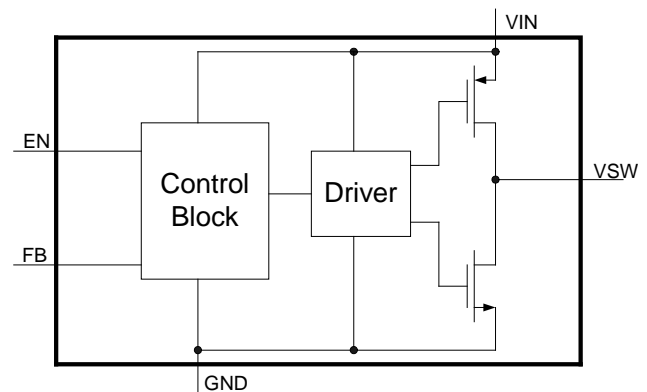
Applications:

- Mobile Phones
- Digital Still Cameras
- MP3 Players
- Portable Medical Instruments
- Battery Powered Equipment
- Personal Information Appliances
- PDAs

Typical Setup



Block Diagram



Efficiency vs. Load Current

