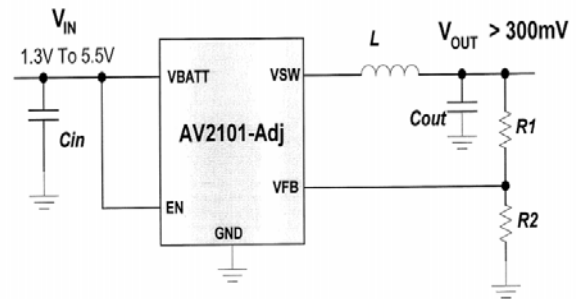


PRODUCT BRIEF

Single Input, Multiple Output Power, Custom PMIC Module Solutions with All Passive Components Included

Features:

- ICs & Passives in One Package
- Gold Bump Technology
- Custom Tailored to Application
- Fast Turnaround
- Superior Performance
- Increased Reliability
- Ultra-Compact Size Reduces Footprint
- Simplified Board Design
- Shortened Design Cycles



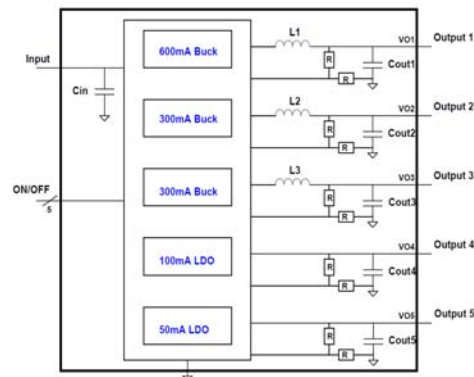
A Complete Regulator Solution:
IC + Capacitors + Inductor + Resistors



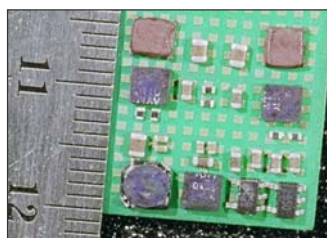
AV2101 Evaluation Board



AV2101 Module



A 5-Channel Regulator: 3 DC-DC Step-Down Regulators & 2 LDOs.



Traditional solutions have a footprint of 165mm^2 with passive components included.



7mm

9mm



Aivaka's SIP Module has all components in a 63mm^2 footprint.