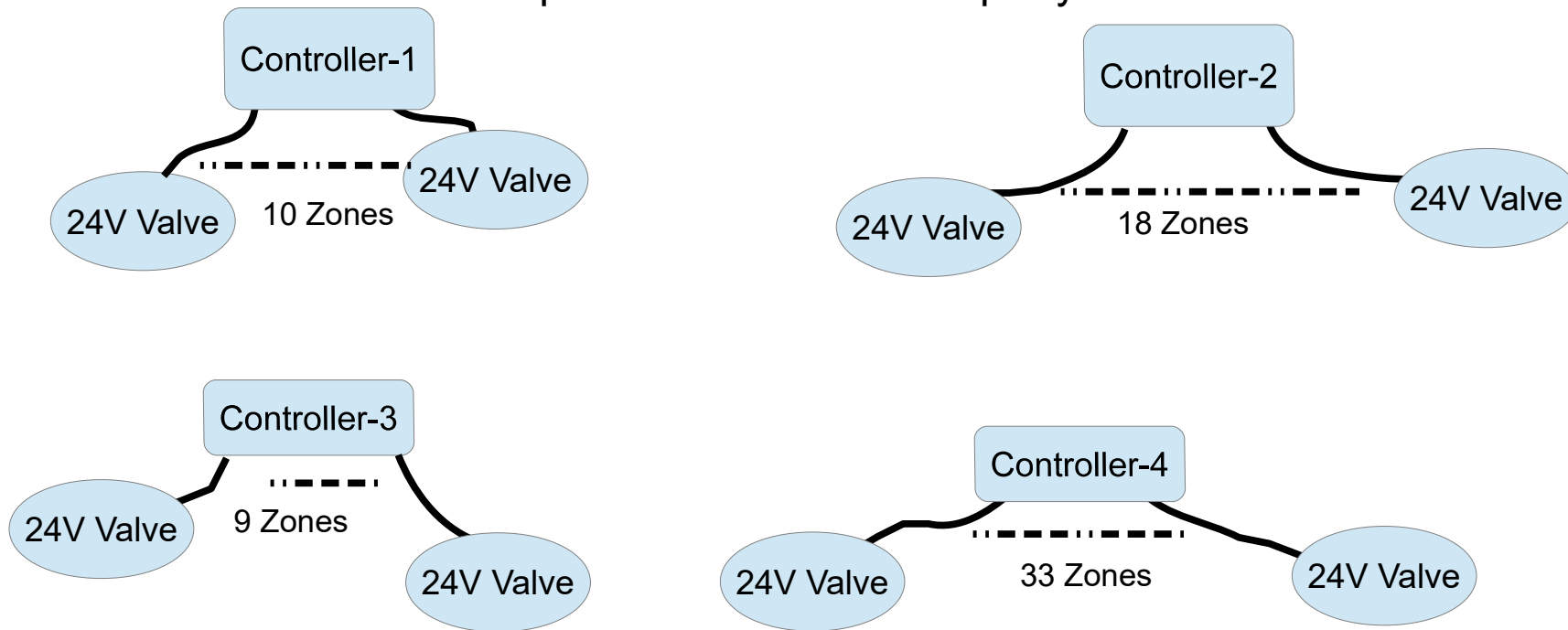


One Timer vs. Multiple

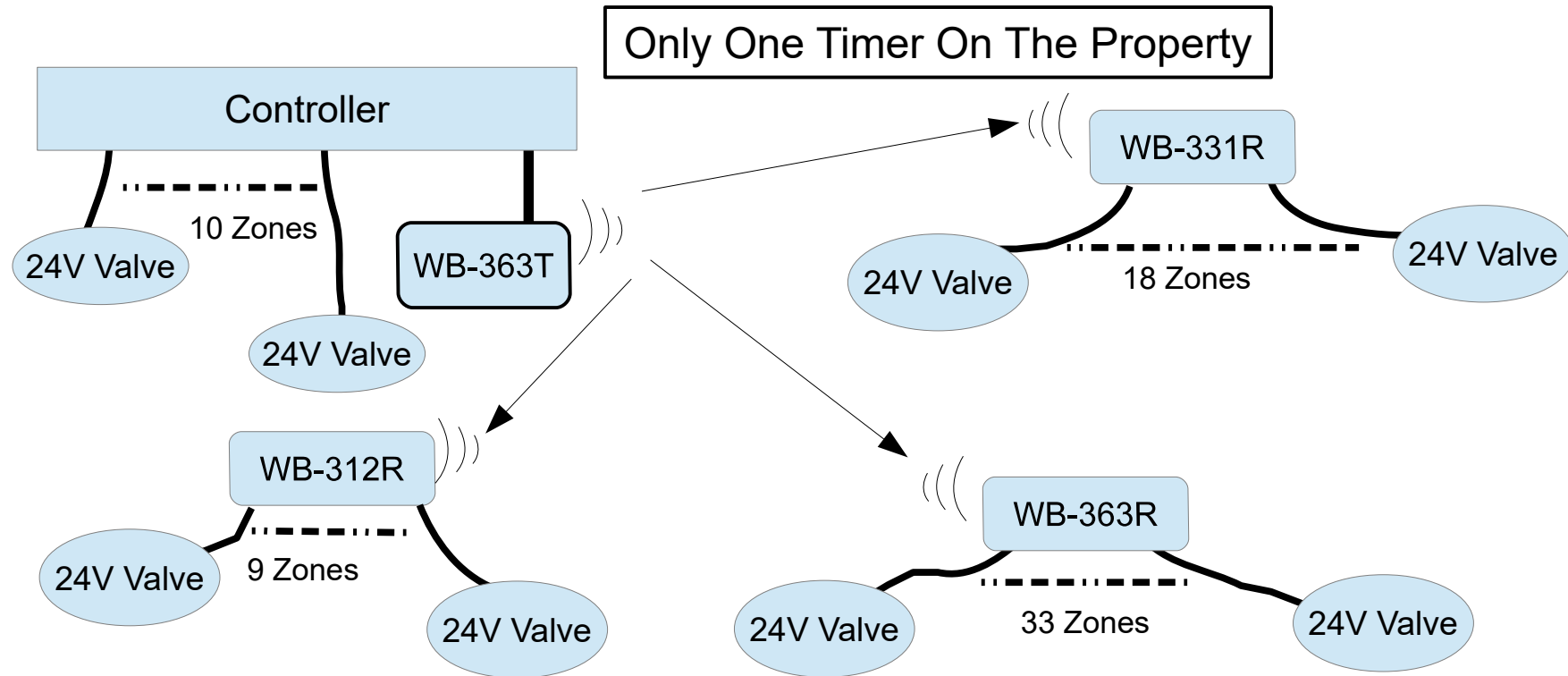
Have multiple timers and want to combined them in one place? There are 4 controllers in the property and need to combine them all in ONE place. Something like this:

Multiple Timers On The Property



One Timer vs. Multiple

One possible option is to get a larger timer that can handle of the valves and place it where you want them to be and use WB-363T and WB-3XXR receivers, and NO new wires and done.



One Timer vs. Multiple

Other option is to use all of the timers instead of buying a new larger timer. The Common wires of all of the controllers must tied together and connected to WB-363T, that is it.

