



Wireless Bridge WB-312

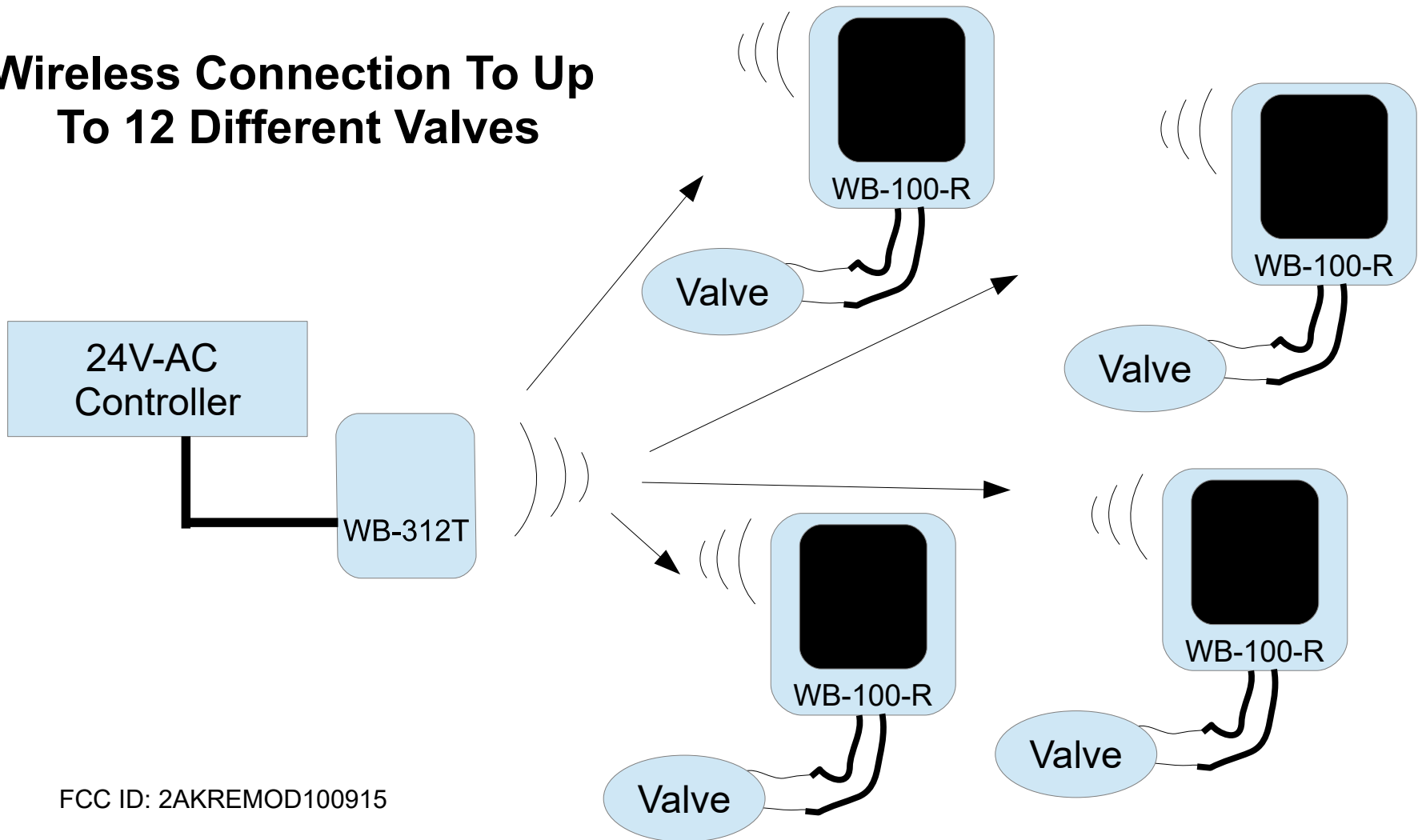
www.aivaka.com

WB-312 creates a wireless connection between a 24V-AC controller and up to 12 different 24V-AC valves. Each valve would require its own receiver to communicate with WB-312.

WB-312 can be used in multi-zone applications where wiring between valves and controller is either not economical or possible to do, or to replace a cut or damaged wire.

- Free ISM radio band
- No WiFi, No Bluetooth, No Cell Phone
- Over 2600 feet of range
- No more wires between controller up to 12 valves
- No more digging or trenching
- Connect DC nodes to controller
- Replacement for a cut or damaged wires
- No need to program anything, just plug & play
- No changing batteries, Ever

Wireless Connection To Up To 12 Different Valves



FCC ID: 2AKREMOD100915