



Wireless Bridge WB-312T/331T/363T

www.aivaka.com

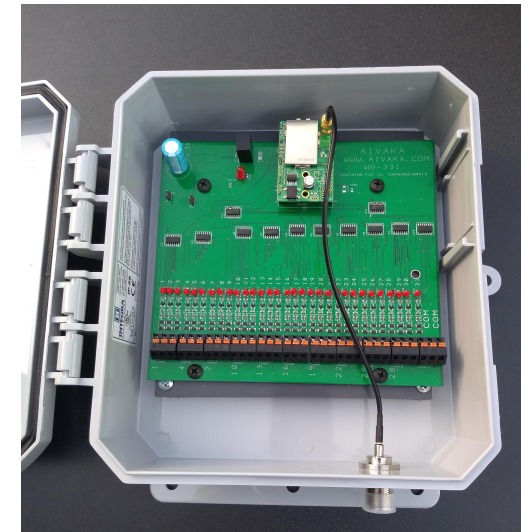
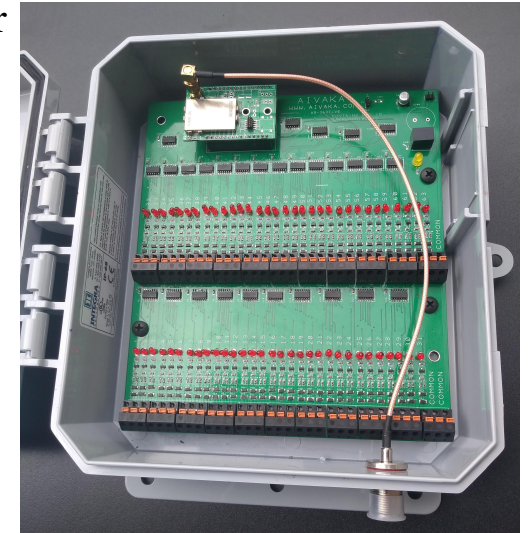
WB-312T/331T/363T creates a wireless connection between a 24V-AC controller and up to 12, 31 or 63 different AC or DC valves. Each valve would require its own receiver to communicate with WB-12T/331T/363T.

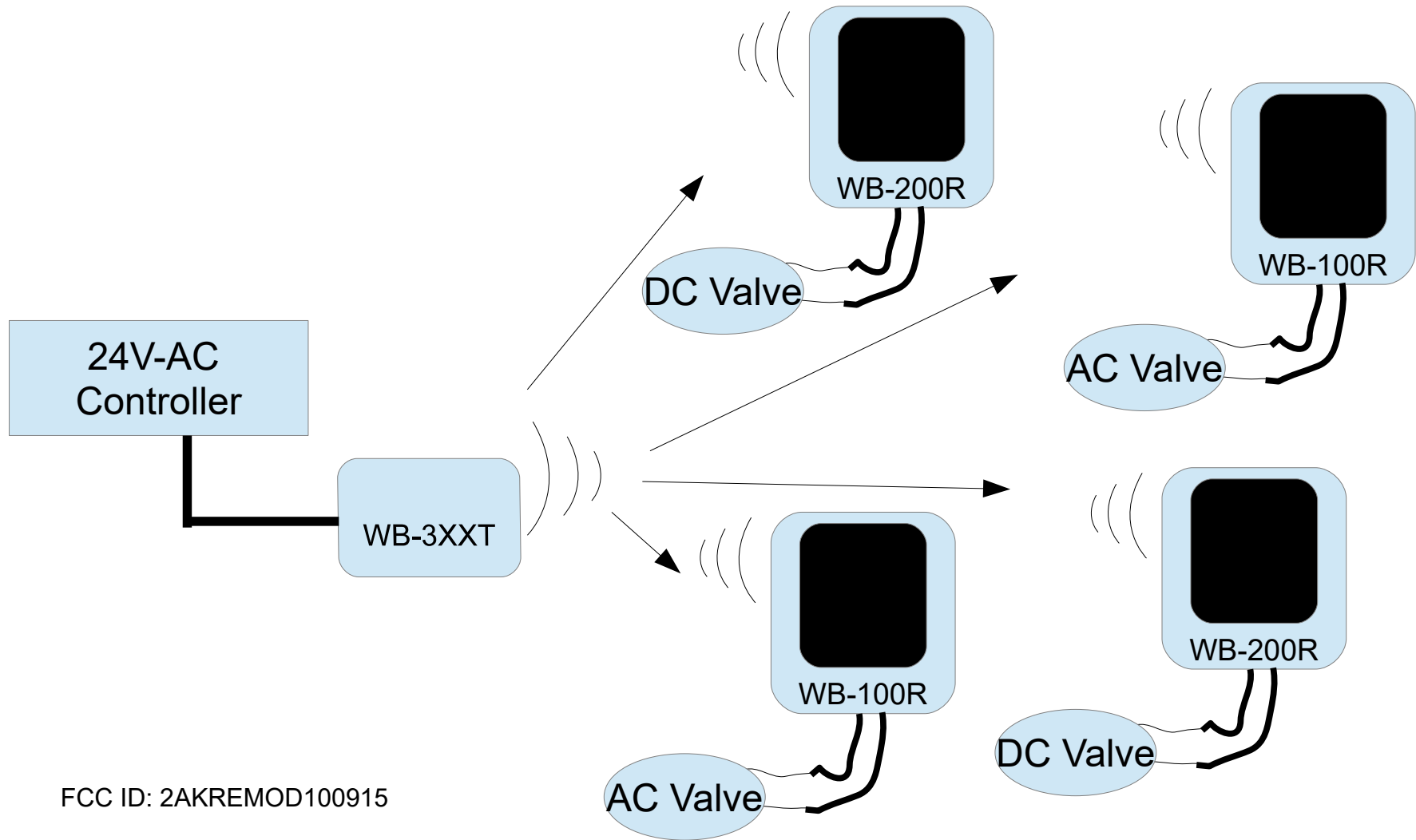
Each device can be installed next to any standard 24V controller. There is no need for any additional power source, the entire system is powered from the controller once a zone is activated and is powered down once the zone is deactivated.

There is no programming needed, the system is ready for use immediately out of the box.

There is an external antenna and RF cable provided with WB-312T/331T/363T. The antenna needs to be mounted (ideally) 15ft above ground or higher and be connected to the system with a provided cable.

The radio operates on a 900MHz ISM band and is free to use.





FCC ID: 2AKREMOD100915