



Wireless Pump Start Relay WR-115/230

WR-115/230 is a wireless pump relay that can activate a water or irrigation pump from a 24V controller. It provides a standard 24V-AC to activate a contactor. The kit contains external antennas, mounting hardware and RF cables.

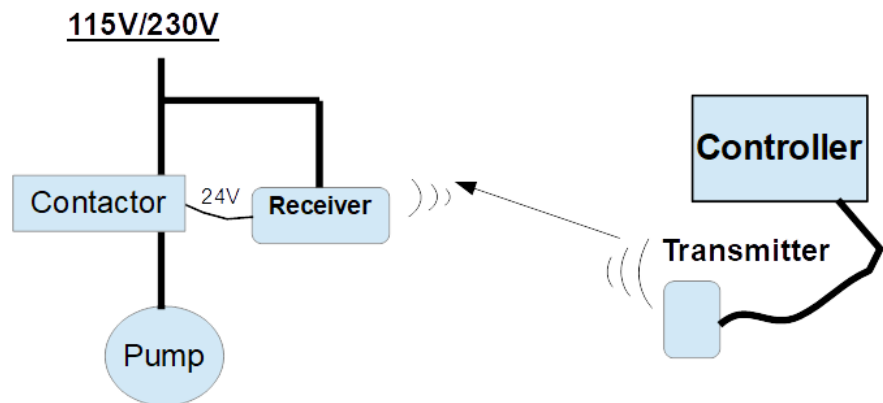
Features

- UL listed components
- Compatible with any 24V controller
- 24V-AC Output (50VA) to connect to Contactor



Specifications

- Receiver is connected to pump Contactor
- Operating temperature: -40 to 170 Degrees Fahrenheit
- Radio is FCC Certified
- Electrical Specifications: 115V/230V, 50-60 Hertz
- Receiver Box is powered from 115V/230V directly
- Transmitter Box is powered directly from controller



* National electrical code requires all motors to be thermally protected from excessive amperage drawn.
Note : Circuit breakers are NOT classified as motor protection.